

Symphony

LOSA TABLES

2026 PRICE LIST

Version 03.11.26



table of contents

Essential Information	3
Formica laminate finishes	4
Losa Tables	
seated height with 12 inch high stretcher(s)	6
seated height with full height stretcher(s)	8
counter and bar height with 12 inch high stretcher(s)	12
counter and bar height with full height stretcher(s)	14
General Information	
Terms & Conditions	18
Table Care and Maintenance	20

essential information

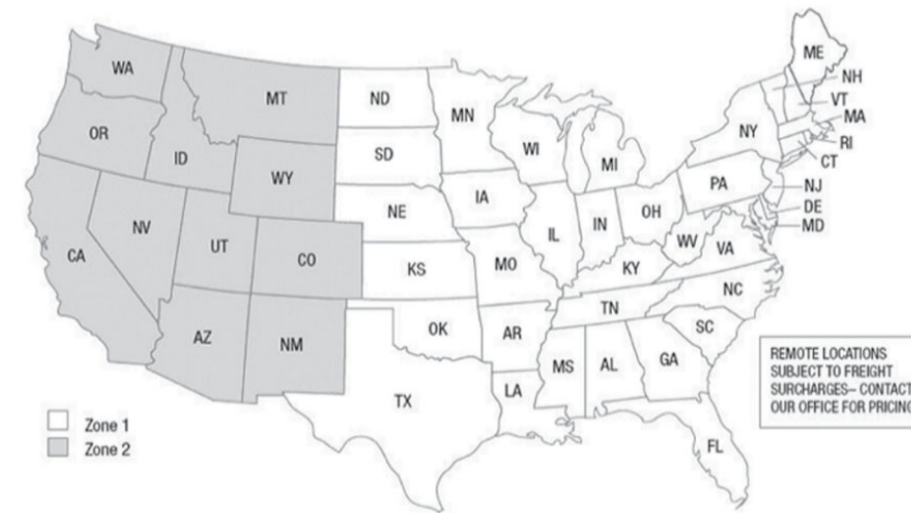
Minimum order / Freight charge

Orders for \$5,000 or more list (contiguous U.S.): freight and minimum order charges included

Orders less than \$5000 list (contiguous U.S.)

Zone 1 \$200 net

Zone 2 \$260 net



Special Charges

Custom metal finish: contact service@symphonytables.com for a quote

Lead Time

varies - please email service@symphonytables.com to confirm lead time

Please send purchase orders to service@symphonytables.com

Symphony Contact Information

phone 866-507-7795

fax 888-683-0007

service@symphonytables.com

www.SymphonyTables.com

Losa tables

Formica laminates by name + matching PVC edges

Formica Grade 1 Laminate Name	Laminate Number	Promoted Finish	3mm PVC edge	Formica Grade 2 Laminate Name	Laminate Number	Promoted Finish	2mm PVC edge
Black	909	58	std stock	Ceruse Gray Walnut	6994	26	std stock
Bleached Legno	8845	58	std stock	Formal Walnut	5782	NG	std stock
Blossom Cherrywood	758	58	std stock	Inked Oak	5792	PG	std stock
Brite White	459	58	std stock	Pecan Walnut	6996	26	std stock
Chelsea Maple	9238	58	std stock	Scandi Rift Oak	8677	26	std stock
Dover White	7197	58	std stock				
Fog	961	58	std stock				
Folkstone	927	58	std stock				
Graphite	837	58	std stock				
Graystone	464	58	std stock				
Natural Maple	756	58	std stock				
Neutral Twill	8826	58	std stock				
Pale Brushstroke	6997	58	std stock				
Pecan Woodline	5883	58	std stock				
Planked Coffee Oak	7413	58	std stock				
Planked Raw Oak	7412	58	std stock				
Planked Urban Oak	9312	58	std stock				
Prestige Walnut	6209	43	std stock				
Pumice	858	58	std stock				
Sand Maple	9237	58	std stock				
Select Cherry	7759	43	std stock				
Storm	912	58	std stock				
Thermo Walnut	6402	58	std stock				
White	949	58	std stock				
Wood Brushstroke	6998	58	std stock				

Formica Grade 2 Laminate Name	Laminate Number	Promoted Finish	3mm PVC edge
Aged Ash	8844	WR	std stock
Buff Elm	5793	NG	std stock
Cherry Walnut	6995	26	std stock
Millennium Oak	5887	26	std stock

All laminates are subject to a waste fee based on laminate sheet size availability.

Non-promoted Formica laminate finishes have an 8 sheet minimum. In addition, all 8 sheets must be the same size.

Contact Symphony for pricing and lead time information: service@symphonytables.com.

Please note: additional laminates and finishes may be available with additional fees and/or extended lead times. Laminates and specific finishes may be discontinued by Formica. For the most up to date information, contact your Formica representative.

Losa tables

Formica laminates by number + matching PVC edges

Formica Grade 1 Laminate Number	Promoted Finish	Laminate Name	3mm PVC edge	Formica Grade 2 Laminate Number	Promoted Finish	Formica Grade 2 Laminate Name	2mm PVC edge
459	58	Brite White	std stock	5782	NG	Formal Walnut	std stock
464	58	Graystone	std stock	5792	PG	Inked Oak	std stock
756	58	Natural Maple	std stock	6994	26	Ceruse Gray Walnut	std stock
758	58	Blossom Cherrywood	std stock	6996	26	Pecan Walnut	std stock
837	58	Graphite	std stock	8677	26	Scandi Rift Oak	std stock
858	58	Pumice	std stock				
909	58	Black	std stock				
912	58	Storm	std stock				
927	58	Folkstone	std stock				
949	58	White	std stock				
961	58	Fog	std stock				
5883	58	Pecan Woodline	std stock				
6209	43	Prestige Walnut	std stock				
6402	58	Thermo Walnut	std stock				
6997	58	Pale Brushstroke	std stock				
6998	58	Wood Brushstroke	std stock				
7197	58	Dover White	std stock				
7412	58	Planked Raw Oak	std stock				
7413	58	Planked Coffee Oak	std stock				
7759	43	Select Cherry	std stock				
8826	58	Neutral Twill	std stock				
8845	58	Bleached Legno	std stock				
9237	58	Sand Maple	std stock				
9238	58	Chelsea Maple	std stock				
9312	58	Planked Urban Oak	std stock				

Formica Grade 2 Laminate Number	Promoted Finish	Laminate Name	3mm PVC edge
5793	NG	Buff Elm	std stock
5887	26	Millennium Oak	std stock
6995	26	Cherry Walnut	std stock
8844	WR	Aged Ash	std stock

All laminates are subject to a waste fee based on laminate sheet size availability.

Non-promoted Formica laminate finishes have an 8 sheet minimum. In addition, all 8 sheets must be the same size.

Contact Symphony for pricing and lead time information: service@symphonytables.com.

Please note: additional laminates and finishes may be available with additional fees and/or extended lead times. Laminates and specific finishes may be discontinued by Formica. For the most up to date information, contact your Formica representative.

Losa tables

seated height
12"H stretcher

Losa tables

seated height
12"H stretchers

For complete model number:

1. insert 2 letter stretcher option code:

XC - (1) 12" high stretcher centered under each piece of the top

XO - (1) 12" high stretcher offset under each piece of the top

*specify offset stretcher placement - 1" or 6" from approach edge of top

2XC - (2) 12" high stretchers centered under each piece of the top
stretchers come standard 6" apart for tables that are 24", 30" or 36" deep

Losa 30"H table			dimensions	1, 2 or 3 piece top	model no.	grade 1 list	grade 2 list				
XC (1) 12"H stretcher centered under each piece of the top	stretcher panel 1" offset	2XC (2) 12"H stretchers centered under each piece of the top 6" apart	24 x 48 x 30H	1	TLLOS24048S	PV	1,950	2,220			
			24 x 54 x 30H	1	TLLOS24054S	PV	2,030	2,320			
			24 x 60 x 30H	1	TLLOS24060S	PV	2,030	2,320			
			24 x 66 x 30H	1	TLLOS24066S	PV	2,140	2,450			
			24 x 72 x 30H	1	TLLOS24072S	PV	2,140	2,450			
			24 x 84 x 30H	1	TLLOS24084S	PV	2,390	2,720			
	stretcher panel 6" offset			24 x 96 x 30H	1	TLLOS24096S	PV	2,500	2,850		
				30 x 48 x 30H	1	TLLOS30048S	PV	2,050	2,350		
				30 x 54 x 30H	1	TLLOS30054S	PV	2,150	2,450		
				30 x 60 x 30H	1	TLLOS30060S	PV	2,230	2,560		
				30 x 66 x 30H	1	TLLOS30066S	PV	2,310	2,650		
				30 x 72 x 30H	1	TLLOS30072S	PV	2,310	2,650		
			30 x 84 x 30H	1	TLLOS30084S	PV	2,570	2,940			
			30 x 96 x 30H	1	TLLOS30096S	PV	2,670	3,060			
			36 x 48 x 30H	1	TLLOS36048S	PV	2,170	2,460			
			36 x 54 x 30H	1	TLLOS36054S	PV	2,260	2,570			
			36 x 60 x 30H	1	TLLOS36060S	PV	2,350	2,670			
			36 x 66 x 30H	1	TLLOS36066S	PV	2,430	2,770			
				36 x 72 x 30H	1	TLLOS36072S	PV	2,620	2,980		
				36 x 84 x 30H	1	TLLOS36084S	PV	2,770	3,160		
				36 x 96 x 30H	1	TLLOS36096S	PV	2,860	3,260		
				24 x 120 x 30H	2	TLLOS24120S	PV	3,640	4,040	180	220
				24 x 144 x 30H	2	TLLOS24144S	PV	3,840	4,290	220	260
				24 x 192 x 30H	2	TLLOS24192S	PV	4,580	5,170	290	350
			30 x 120 x 30H	2	TLLOS30120S	PV	4,060	4,500	230	280	
			30 x 144 x 30H	2	TLLOS30144S	PV	4,510	4,990	270	330	
			30 x 192 x 30H	2	TLLOS30192S	PV	5,310	5,960	360	440	
			36 x 120 x 30H	2	TLLOS36120S	PV	4,400	4,870	270	330	
			36 x 144 x 30H	2	TLLOS36144S	PV	4,800	5,300	320	400	
			36 x 192 x 30H	2	TLLOS36192S	PV	5,630	6,290	430	530	
				24 x 216 x 30H	3	TLLOS24216S	PV	5,510	6,170	320	400
				24 x 240 x 30H	3	TLLOS24240S	PV	5,880	6,620	360	440
				30 x 216 x 30H	3	TLLOS30216S	PV	6,040	6,770	410	500
				30 x 240 x 30H	3	TLLOS30240S	PV	6,440	7,250	450	550
				36 x 216 x 30H	3	TLLOS36216S	PV	6,370	7,110	490	590
				36 x 240 x 30H	3	TLLOS36240S	PV	6,780	7,610	540	660

Wire Management 3-sided Chase options:

Losa 3 sided laminate wire management chase with latches for 1 end panel base*
Seated height chase (6"W x 3"D x 16.56"H) model # **OBLOSWM3SCE30-6 - \$330 list**

Losa 3 sided laminate wire management chase with latches for both end panel bases
Seated height chase (6"W x 3"D x 16.56"H) model # **OBLOSWM3SC2E30-6 - \$660 list**

Losa 3 sided laminate wire management chase with latches for 1 middle support panel base*
Seated height chase (6"W x 3"D x 16.56"H) model # **OBLOSWM3SCM30-6 - \$330 list**

* for tables with offset stretchers, specify which panel and the placement of the wire manager (user left or right)

Wire Management Mouse Hole options:

Wire Management cut out options for end /middle panels:

Losa wire management mouse hole (1) stretcher at the top / center - model # **OBLOSWMHMS - \$20 list**

Losa wire management mouse hole (1) in the end panel or middle support panel at the top / center model # **OBLOSWMHPT - \$20 list**

Losa wire management mouse hole (1) in the end panel or middle support panel at the bottom / center model # **OBLOSWMHPB - \$20 list**

Losa wire management notched cut out for power supply (1) stretcher at top / center model # **OBLOSWMNCOS - \$60 list**

Losa wire management notched cut out for power supply (1) end panel or middle support panel at top / center model # **OBLOSWMNCOP - \$60 list**

Losa wire management cut out (1) on the end panel 18" at center from the bottom center of the panel model # **OBLOSWMCOEP - \$60 list**

***specify which panel or stretcher shall have the mouse hole or cut out on your PO

Please contact service@symphonytables.com to make sure that your power and/or wire management solution will work with the Losa table specification.

We are able to modify this table with a custom solution to fit your projects needs.

Formica HPL laminate finish grades listed on pages 2-3 For additional laminate grades, contact Symphony.

Grain Match fees for 2 and 3 piece tops with a wood grain laminate

See above chart for pricing in blue, use model number OTGRMTCH with the top depth x length-Gr1 or Gr2 - for example OTGRMTCH36120-GR1

Losa 30"H table		dimensions	model no.	grade 1 list	grade 2 list		
1 piece top - (2) 12"H stretchers centered under the top stretchers 12" apart		42 x 48 x 30H	TLLOS42048S2XCPV	2,230	2,530		
		42 x 54 x 30H	TLLOS42054S2XCPV	2,330	2,650		
		42 x 60 x 30H	TLLOS42060S2XCPV	2,420	2,760		
		42 x 66 x 30H	TLLOS42066S2XCPV	2,500	2,860		
		42 x 72 x 30H	TLLOS42072S2XCPV	2,700	3,070		
		42 x 84 x 30H	TLLOS42084S2XCPV	2,850	3,260		
		42 x 96 x 30H	TLLOS42096S2XCPV	3,020	3,450		
		48 x 54 x 30H	TLLOS48054S2XCPV	2,560	2,930		
		48 x 60 x 30H	TLLOS48060S2XCPV	2,670	3,060		
		48 x 66 x 30H	TLLOS48066S2XCPV	2,760	3,170		
		48 x 72 x 30H	TLLOS48072S2XCPV	2,970	3,400		
		48 x 84 x 30H	TLLOS48084S2XCPV	3,000	3,430		
2 piece top - (2) 12"H stretchers centered under each piece of the top stretchers 12" apart		48 x 96 x 30H	TLLOS48096S2XCPV	3,020	3,450		
		54 x 60 x 30H	TLLOS54060S2XCPV	3,400	3,860		
		54 x 66 x 30H	TLLOS54066S2XCPV	3,510	4,000		
		54 x 72 x 30H	TLLOS54072S2XCPV	3,630	4,140		
		54 x 84 x 30H	TLLOS54084S2XCPV	3,650	4,170		
		54 x 96 x 30H	TLLOS54096S2XCPV	3,690	4,210		
		60 x 66 x 30H	TLLOS60066S2XCPV	3,750	4,240		
		60 x 72 x 30H	TLLOS60072S2XCPV	3,860	4,370		
		60 x 84 x 30H	TLLOS60084S2XCPV	3,890	4,400		
		60 x 96 x 30H	TLLOS60096S2XCPV	3,920	4,440		
		42 x 120 x 30H	TLLOS42120S2XCPV	4,870	5,380	320	390
		42 x 144 x 30H	TLLOS42144S2XCPV	5,350	5,910	380	460
42 x 192 x 30H	TLLOS42192S2XCPV	6,280	7,020	500	620		
3 piece top - (2) 12"H stretchers centered under each piece of the top stretchers 12" apart		48 x 120 x 30H	TLLOS48120S2XCPV	4,870	5,380	360	440
		48 x 144 x 30H	TLLOS48144S2XCPV	5,350	5,910	430	530
		48 x 192 x 30H	TLLOS48192S2XCPV	6,390	7,140	580	700
		54 x 120 x 30H	TLLOS54120S2XCPV	5,850	6,460	410	500
		54 x 144 x 30H	TLLOS54144S2XCPV	6,140	6,810	490	600
		54 x 192 x 30H	TLLOS54192S2XCPV	7,240	8,130	650	800
		60 x 120 x 30H	TLLOS60120S2XCPV	6,080	6,690	450	550
		60 x 144 x 30H	TLLOS60144S2XCPV	6,370	7,040	540	660
		60 x 192 x 30H	TLLOS60192S2XCPV	7,470	8,360	720	880
		42 x 216 x 30H	TLLOS42216S2XCPV	7,070	7,910	570	700
		42 x 240 x 30H	TLLOS42240S2XCPV	7,530	8,470	630	770
		48 x 216 x 30H	TLLOS48216S2XCPV	7,070	7,910	650	800
48 x 240 x 30H	TLLOS48240S2XCPV	7,530	8,930	720	880		
54 x 216 x 30H	TLLOS54216S2XCPV	8,460	9,530	730	890		
54 x 240 x 30H	TLLOS54240S2XCPV	9,010	10,190	810	990		
60 x 216 x 30H	TLLOS60216S2XCPV	8,690	9,760	810	990		
60 x 240 x 30H	TLLOS60240S2XCPV	9,240	10,430	900	1,100		

Wire Management 3-sided Chase options:

Losa 3 sided laminate wire management chase with latches for 1 end panel base
Seated height chase (12"W x 3"D x 16.56"H) model # **OBLOSWM3SCE30-12 - \$330 list**

Losa 3 sided laminate wire management chase with latches for both end panel bases
Seated height chase (12"W x 3"D x 16.56"H) model # **OBLOSWM3SC2E30-12 - \$660 list**

Losa 3 sided laminate wire management chase with latches for 1 middle support panel base
Seated height chase (12"W x 3"D x 16.56"H) model # **OBLOSWM3SCM30-12 - \$330 list**

Wire Management Mouse Hole options:

Wire Management cut out options for end /middle panels:

Losa wire management mouse hole (1) stretcher at the top / center - model # **OBLOSWMHMS - \$20 list**

Losa wire management mouse hole (1) in the end panel or middle support panel at the top / center model # **OBLOSWMHPT - \$20 list**

Losa wire management mouse hole (1) in the end panel or middle support panel at the bottom / center model # **OBLOSWMHPB - \$20 list**

Losa wire management notched cut out for power supply (1) stretcher at top / center - model # **OBLOSWMNCOS - \$60 list**

Losa wire management notched cut out for power supply (1) end panel or middle support panel at top / center model # **OBLOSWMNCOP - \$60 list**

Losa wire management cut out (1) on the end panel 18" at center from the bottom center of the panel model # **OBLOSWMCOEP - \$60 list**

***specify which panel or stretcher shall have the mouse hole or cut out on your PO

Please contact service@symphonytables.com to make sure that your power and/or wire management solution will work with the Losa table specification.

We are able to modify this table with a custom solution to fit your projects needs.

Losa tables

seated height
full height stretcher

For complete model number:

1. insert 2 letter stretcher option code:

FC - (1) full height stretcher centered under each piece of the top

FO - (1) full height stretcher offset under each piece of the top

**specify offset stretcher placement - 1" or 6" from approach edge of top*

Losa 30"H table		dimensions	1, 2 or 3 piece top	model no.	grade 1 list	grade 2 list		
FC (1) full height stretcher centered under each piece of the top		FO (1) full height stretcher offset under each piece of the top specify 1" or 6" offset	1	TLLOS24048S	PV	2,220	2,530	
		stretcher panel 1" offset	1	TLLOS24054S	PV	2,330	2,660	
			1	TLLOS24060S	PV	2,360	2,690	
			1	TLLOS24066S	PV	2,500	2,860	
			1	TLLOS24072S	PV	2,520	2,890	
			1	TLLOS24084S	PV	2,810	3,220	
			1	TLLOS24096S	PV	2,970	3,400	
			1	TLLOS30048S	PV	2,330	2,660	
			1	TLLOS30054S	PV	2,450	2,800	
			1	TLLOS30060S	PV	2,560	2,930	
			1	TLLOS30066S	PV	2,660	3,060	
			1	TLLOS30072S	PV	2,690	3,090	
			1	TLLOS30084S	PV	3,000	3,430	
			1	TLLOS30096S	PV	3,150	3,610	
			1	TLLOS36048S	PV	2,450	2,780	
			1	TLLOS36054S	PV	2,560	2,910	
			1	TLLOS36060S	PV	2,670	3,050	
			1	TLLOS36066S	PV	2,780	3,170	
			1	TLLOS36072S	PV	3,000	3,410	Grain Match Fee
			1	TLLOS36084S	PV	3,190	3,650	
	1	TLLOS36096S	PV	3,330	3,810	GR1 GR2		
	2	TLLOS24120S	PV	4,210	4,710	180 220		
	2	TLLOS24144S	PV	4,510	5,070	220 260		
	2	TLLOS24192S	PV	5,450	6,190	290 350		
	2	TLLOS30120S	PV	4,630	5,160	230 280		
	2	TLLOS30144S	PV	5,180	5,780	270 330		
	2	TLLOS30192S	PV	6,180	6,980	360 440		
	2	TLLOS36120S	PV	4,970	5,530	270 330		
	2	TLLOS36144S	PV	5,470	6,090	320 400		
	2	TLLOS36192S	PV	6,490	7,310	430 530		
	3	TLLOS24216S	PV	6,470	7,310	320 400		
	3	TLLOS24240S	PV	6,940	7,870	360 440		
	3	TLLOS30216S	PV	7,000	7,910	410 500		
	3	TLLOS30240S	PV	7,510	8,510	450 550		
	3	TLLOS36216S	PV	7,330	8,250	490 590		
	3	TLLOS36240S	PV	7,840	8,860	540 660		

Wire Management Door option:

- Losa wire management door with finger pull for 1 full height stretcher****
(door dimensions: 10.5"W x 12.5"H) model # **OBOLOSWMDD1 - \$200 list**
- Losa wire management door with finger pull for 2 full height stretchers****
(door dimensions: 10.5"W x 12.5"H) model # **OBOLOSWMDD2 - \$400 list**
- Losa wire management door with finger pull for 3 full height stretchers****
(door dimensions: 10.5"W x 12.5"H) model # **OBOLOSWMDD3 - \$600 list**

***specify placement and confirm which panel shall receive the door for tables with multiple stretchers*

Wire Management Mouse Hole options:

- Losa wire management mouse hole (1) stretcher at the top / center - model # **OBOLOSWMHMS - \$20 list**
- Losa wire management mouse hole (1) in the end panel or middle support panel at the top / center model # **OBOLOSWMHPT - \$20 list**
- Losa wire management mouse hole (1) in the end panel or middle support panel at the bottom / center model # **OBOLOSWMHPB - \$20 list**

Wire Management cut out options for end /middle panels:

- Losa wire management notched cut out for power supply (1) stretcher at top / center model # **OBOLOSWMNCOS - \$60 list**
- Losa wire management notched cut out for power supply (1) end panel or middle support panel at top / center model # **OBOLOSWMNCOP - \$60 list**
- Losa wire management cut out (1) on the end panel 18" at center from the bottom center of the panel model # **OBOLOSWMCOEP - \$60 list**

****specify which panel or stretcher shall have the mouse hole or cut out on your PO*

Please contact service@symphonytables.com to make sure that your power and/or wire management solution will work with the Losa table specification. We are able to modify this table with a custom solution to fit your projects needs.

Formica HPL laminate finish grades listed on pages 2-3. For additional laminate grades, contact Symphony.

Grain Match fees for 2 and 3 piece tops with a wood grain laminate

See above chart for pricing in blue, use model number OTGRMTCH with the top depth x length-Gr1 or Gr2 - for example OTGRMTCH36120-GR1

Symphony

2026 LOSA PRICE LIST

Losa tables

seated height
full height stretchers

Losa 30"H table		dimensions	1, 2 or 3 piece top	model no.	grade 1 list	grade 2 list		
(2) full height stretchers centered under each piece of the top stretchers 6" apart		24 x 48 x 30H	1	TLLOS24048S2FCPV	2,500	2,850		
		24 x 54 x 30H	1	TLLOS24054S2FCPV	2,640	3,010		
		24 x 60 x 30H	1	TLLOS24060S2FCPV	2,680	3,060		
		24 x 66 x 30H	1	TLLOS24066S2FCPV	2,850	3,260		
		24 x 72 x 30H	1	TLLOS24072S2FCPV	2,900	3,320		
		24 x 84 x 30H	1	TLLOS24084S2FCPV	3,240	3,710		
		24 x 96 x 30H	1	TLLOS24096S2FCPV	3,450	3,950		
		30 x 48 x 30H	1	TLLOS30048S2FCPV	2,610	2,980		
		30 x 54 x 30H	1	TLLOS30054S2FCPV	2,750	3,140		
		30 x 60 x 30H	1	TLLOS30060S2FCPV	2,890	3,310		
		30 x 66 x 30H	1	TLLOS30066S2FCPV	3,020	3,460		
		30 x 72 x 30H	1	TLLOS30072S2FCPV	3,060	3,520		
		30 x 84 x 30H	1	TLLOS30084S2FCPV	3,420	3,930		
		30 x 96 x 30H	1	TLLOS30096S2FCPV	3,620	4,170		
		36 x 48 x 30H	1	TLLOS36048S2FCPV	2,730	3,090		
		36 x 54 x 30H	1	TLLOS36054S2FCPV	2,870	3,260		
		36 x 60 x 30H	1	TLLOS36060S2FCPV	3,000	3,420		
		36 x 66 x 30H	1	TLLOS36066S2FCPV	3,130	3,580		
		36 x 72 x 30H	1	TLLOS36072S2FCPV	3,370	3,840	Grain Match Fee	
		36 x 84 x 30H	1	TLLOS36084S2FCPV	3,620	4,140		
36 x 96 x 30H	1	TLLOS36096S2FCPV	3,810	4,360	GR1 GR2			
24 x 120 x 30H	2	TLLOS24120S2FCPV	4,780	5,380	180 220			
24 x 144 x 30H	2	TLLOS24144S2FCPV	5,180	5,860	220 260			
24 x 192 x 30H	2	TLLOS24192S2FCPV	6,310	7,210	290 350			
30 x 120 x 30H	2	TLLOS30120S2FCPV	5,200	5,830	230 280			
30 x 144 x 30H	2	TLLOS30144S2FCPV	5,850	6,560	270 330			
30 x 192 x 30H	2	TLLOS30192S2FCPV	7,040	8,000	360 440			
36 x 120 x 30H	2	TLLOS36120S2FCPV	5,550	6,200	270 330			
36 x 144 x 30H	2	TLLOS36144S2FCPV	6,140	6,870	320 400			
36 x 192 x 30H	2	TLLOS36192S2FCPV	7,360	8,330	430 530			
24 x 216 x 30H	3	TLLOS24216S2FCPV	7,430	8,450	320 400			
24 x 240 x 30H	3	TLLOS24240S2FCPV	8,000	9,130	360 440			
30 x 216 x 30H	3	TLLOS30216S2FCPV	7,970	9,040	410 500			
30 x 240 x 30H	3	TLLOS30240S2FCPV	8,570	9,760	450 550			
36 x 216 x 30H	3	TLLOS36216S2FCPV	8,300	9,390	490 590			
36 x 240 x 30H	3	TLLOS36240S2FCPV	8,900	10,120	540 660			

Wire Management Door option:

- Losa wire management door with finger pull for 1 full height stretcher****
(door dimensions: 10.5"W x 12.5"H) model # **OBOLOSWMDD1 - \$200 list**
- Losa wire management door with finger pull for 2 full height stretchers****
(door dimensions: 10.5"W x 12.5"H) model # **OBOLOSWMDD2 - \$400 list**
- Losa wire management door with finger pull for 3 full height stretchers****
(door dimensions: 10.5"W x 12.5"H) model # **OBOLOSWMDD3 - \$600 list**

***specify placement and confirm which panel shall receive the door for tables with multiple stretchers*

Wire Management Mouse Hole options:

- Losa wire management mouse hole (1) stretcher at the top / center - model # **OBOLOSWMHMS - \$20 list**
- Losa wire management mouse hole (1) in the end panel or middle support panel at the top / center - model # **OBOLOSWMHPT - \$20 list**
- Losa wire management mouse hole (1) in the end panel or middle support panel at the bottom / center model # **OBOLOSWMHPB - \$20 list**

Wire Management cut out options for end /middle panels:

- Losa wire management notched cut out for power supply (1) stretcher at top / center model # **OBOLOSWMNCOS - \$60 list**
- Losa wire management notched cut out for power supply (1) end panel or middle support panel at top / center model # **OBOLOSWMNCOP - \$60 list**
- Losa wire management cut out (1) on the end panel 18" at center from the bottom center of the panel model # **OBOLOSWMCOEP - \$60 list**

****specify which panel or stretcher shall have the mouse hole or cut out on your PO*

Please contact service@symphonytables.com to make sure that your power and/or wire management solution will work with the Losa table specification. We are able to modify this table with a custom solution to fit your projects needs.

Formica HPL laminate finish grades listed on pages 2-3. For additional laminate grades, contact Symphony.

Grain Match fees for 2 and 3 piece tops with a wood grain laminate

See above chart for pricing in blue, use model number OTGRMTCH with the top depth x length-Gr1 or Gr2 - for example OTGRMTCH36120-GR1

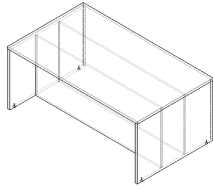
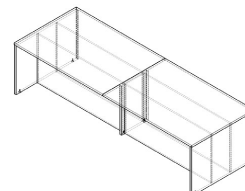
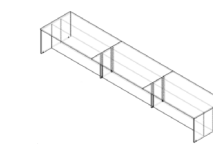

Symphony

2026 LOSA PRICE LIST

Losa tables

seated height
full height stretchers


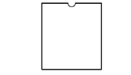

Losa tables

Losa 30"H table		dimensions	model no.	grade 1 list	grade 2 list			
1 piece top - (2) full height stretchers centered under the top stretchers 12" apart 	42 x 48 x 30H	TLLOS42048S2FCPV	2,790	3,170				
	42 x 54 x 30H	TLLOS42054S2FCPV	2,930	3,340				
	42 x 60 x 30H	TLLOS42060S2FCPV	3,070	3,500				
	42 x 66 x 30H	TLLOS42066S2FCPV	3,200	3,660				
	42 x 72 x 30H	TLLOS42072S2FCPV	3,450	3,940				
	42 x 84 x 30H	TLLOS42084S2FCPV	3,700	4,240				
	42 x 96 x 30H	TLLOS42096S2FCPV	3,970	4,560				
	48 x 54 x 30H	TLLOS48054S2FCPV	3,170	3,620				
	48 x 60 x 30H	TLLOS48060S2FCPV	3,320	3,800				
	48 x 66 x 30H	TLLOS48066S2FCPV	3,470	3,980				
	48 x 72 x 30H	TLLOS48072S2FCPV	3,720	4,270				
	48 x 84 x 30H	TLLOS48084S2FCPV	3,850	4,410				
	48 x 96 x 30H	TLLOS48096S2FCPV	3,970	4,560				
	54 x 60 x 30H	TLLOS54060S2FCPV	4,050	4,610				
	54 x 66 x 30H	TLLOS54066S2FCPV	4,220	4,810				
	54 x 72 x 30H	TLLOS54072S2FCPV	4,380	5,000				
	54 x 84 x 30H	TLLOS54084S2FCPV	4,500	5,160				
	54 x 96 x 30H	TLLOS54096S2FCPV	4,630	5,310				
60 x 66 x 30H	TLLOS60066S2FCPV	4,450	5,040					
60 x 72 x 30H	TLLOS60072S2FCPV	4,610	5,240					
60 x 84 x 30H	TLLOS60084S2FCPV	4,740	5,390					
60 x 96 x 30H	TLLOS60096S2FCPV	4,870	5,540					
2 piece top - (2) full height stretchers centered under each piece of the top stretchers 12" apart 	42 x 120 x 30H	TLLOS42120S2FCPV	6,020	6,720	320	390		
	42 x 144 x 30H	TLLOS42144S2FCPV	6,690	7,480	380	460		
	42 x 192 x 30H	TLLOS42192S2FCPV	8,010	9,070	500	620		
	48 x 120 x 30H	TLLOS48120S2FCPV	6,020	6,720	360	440		
	48 x 144 x 30H	TLLOS48144S2FCPV	6,690	7,480	430	530		
	48 x 192 x 30H	TLLOS48192S2FCPV	8,130	9,180	580	700		
	54 x 120 x 30H	TLLOS54120S2FCPV	6,990	7,790	410	500		
	54 x 144 x 30H	TLLOS54144S2FCPV	7,480	8,380	490	600		
	54 x 192 x 30H	TLLOS54192S2FCPV	8,970	10,170	650	800		
	60 x 120 x 30H	TLLOS60120S2FCPV	7,220	8,030	450	550		
	60 x 144 x 30H	TLLOS60144S2FCPV	7,710	8,610	540	660		
	60 x 192 x 30H	TLLOS60192S2FCPV	9,200	10,400	720	880		
	3 piece top - (2) full height stretchers centered under each piece of the top stretchers 12" apart 	42 x 216 x 30H	TLLOS42216S2FCPV	9,000	10,190	570	700	
		42 x 240 x 30H	TLLOS42240S2FCPV	9,660	10,980	630	770	
		48 x 216 x 30H	TLLOS48216S2FCPV	9,000	10,190	650	800	
		48 x 240 x 30H	TLLOS48240S2FCPV	9,660	10,980	720	880	
		54 x 216 x 30H	TLLOS54216S2FCPV	10,390	11,810	730	890	
		54 x 240 x 30H	TLLOS54240S2FCPV	11,140	12,710	810	990	
Wire Management Door option: 	42 x 216 x 30H	TLLOS60216S2FCPV	10,620	12,040	810	990		
	42 x 240 x 30H	TLLOS60240S2FCPV	11,370	12,940	900	1,100		
	48 x 216 x 30H	TLLOS48216S2FCPV	9,000	10,190	650	800		
	48 x 240 x 30H	TLLOS48240S2FCPV	9,660	10,980	720	880		
	54 x 216 x 30H	TLLOS54216S2FCPV	10,390	11,810	730	890		
	54 x 240 x 30H	TLLOS54240S2FCPV	11,140	12,710	810	990		




Losa wire management door with finger pull for 1 full height stretcher**
(door dimensions: 10.5"W x 12.5"H) model # **OBOLOSWMDD1 - \$200 list**
Losa wire management door with finger pull for 2 full height stretchers**
(door dimensions: 10.5"W x 12.5"H) model # **OBOLOSWMDD2 - \$400 list**
Losa wire management door with finger pull for 3 full height stretchers**
(door dimensions: 10.5"W x 12.5"H) model # **OBOLOSWMDD3 - \$600 list**

**specify placement and confirm which panel shall receive the door for tables with multiple stretchers

Wire Management Mouse Hole options:

-  Losa wire management mouse hole (1) stretcher at the top / center - model # **OBOLOSWMHHS - \$20 list**
-  Losa wire management mouse hole (1) in the end panel or middle support panel at the top / center model # **OBOLOSWMHPT - \$20 list**
-  Losa wire management mouse hole (1) in the end panel or middle support panel at the bottom / center model # **OBOLOSWMHPB - \$20 list**

Wire Management cut out options for end /middle panels:

-  Losa wire management notched cut out for power supply (1) stretcher at top / center model # **OBOLOSWMNCOS - \$60 list**
-  Losa wire management notched cut out for power supply (1) end panel or middle support panel at top / center - model # **OBOLOSWMNCOP - \$60 list**
-  Losa wire management cut out (1) on the end panel 18" at center from the bottom center of the panel model # **OBOLOSWMCOEP - \$60 list**

***specify which panel or stretcher shall have the mouse hole or cut out on your PO

Please contact service@symphonytables.com to make sure that your power and/or wire management solution will work with the Losa table specification. We are able to modify this table with a custom solution to fit your projects needs.

Formica HPL laminate finish grades listed on pages 2-3. For additional laminate grades, contact Symphony.

Grain Match fees for 2 and 3 piece tops with a wood grain laminate

See above chart for pricing in blue, use model number OTGRMTCH with the top depth x length-Gr1 or Gr2 - for example OTGRMTCH36120-GR1

This page was intentionally left blank.

Symphony

2026 LOSA PRICE LIST

Symphony

2026 LOSA PRICE LIST

Losa tables

counter height or bar height
12"H stretcher

For complete model number:
1. insert 1 letter height code:
C - 36" counter height
B - 42" bar height

2. insert 2 letter stretcher option code:
XC - (1) 12" high stretcher centered under each piece of the top
XO - (1) 12" high stretcher offset under each piece of the top
**specify offset stretcher placement - 1" or 6" from approach edge of top*
2XC - (2) 12" high stretchers centered under each piece of the top
stretchers come standard 6" apart for tops that are 24", 30" or 36" deep

Losa table	dimensions	1, 2 or 3 piece top	model no.	grade 1 list	grade 2 list	
XC (1) 12"H stretcher centered under each piece of the top	24 x 48	1	TLLOS24048	2,080	2,370	
	24 x 54	1	TLLOS24054	2,170	2,480	
	24 x 60	1	TLLOS24060	2,170	2,480	
	24 x 66	1	TLLOS24066	2,290	2,630	
	24 x 72	1	TLLOS24072	2,290	2,630	
	24 x 84	1	TLLOS24084	2,550	2,910	
	24 x 96	1	TLLOS24096	2,670	3,060	
	30 x 48	1	TLLOS30048	2,250	2,590	
	30 x 54	1	TLLOS30054	2,360	2,710	
	30 x 60	1	TLLOS30060	2,360	2,710	
	30 x 66	1	TLLOS30066	2,490	2,870	
	XO (1) 12"H stretcher offset under each piece of the top. specify 1" or 6" offset	30 x 72	1	TLLOS30072	2,490	2,870
30 x 84		1	TLLOS30084	2,760	3,170	
30 x 96		1	TLLOS30096	2,870	3,300	
36 x 48		1	TLLOS36048	2,310	2,630	
36 x 54		1	TLLOS36054	2,410	2,750	
36 x 60		1	TLLOS36060	2,510	2,860	
36 x 66		1	TLLOS36066	2,590	2,970	
36 x 72		1	TLLOS36072	2,800	3,190	
36 x 84		1	TLLOS36084	2,960	3,390	
36 x 96		1	TLLOS36096	3,060	3,510	
2XC (2) 12"H stretchers centered under each piece of the top 6" apart		24 x 120	2	TLLOS24120	3,850	4,290
		24 x 144	2	TLLOS24144	4,070	4,560
	24 x 192	2	TLLOS24192	4,880	5,530	
	30 x 120	2	TLLOS30120	4,280	4,760	
	30 x 144	2	TLLOS30144	4,750	5,280	
	30 x 192	2	TLLOS30192	5,640	6,350	
	36 x 120	2	TLLOS36120	4,630	5,140	
	36 x 144	2	TLLOS36144	5,050	5,600	
	36 x 192	2	TLLOS36192	5,960	6,690	
	24 x 216	3	TLLOS24216	5,850	6,580	
	24 x 240	3	TLLOS24240	6,250	7,070	
	30 x 216	3	TLLOS30216	6,410	7,210	
30 x 240	3	TLLOS30240	6,850	7,740		
36 x 216	3	TLLOS36216	6,740	7,570		
36 x 240	3	TLLOS36240	7,200	8,110		

Wire Management 3-sided Chase options:

	Losa 3 sided laminate wire management chase with latches for 1 end panel base*
	Counter height chase (22.56"H) model # OBLOSWM3SCE36-6 - \$350 list Bar height chase (28.56"H) model # OBLOSWM3SCE42-6 - \$370 list
	Losa 3 sided laminate wire management chase with latches for both end panel bases
	Counter height chase (22.56"H) model # OBLOSWM3SC2E36-6 - \$700 list Bar height chase (28.56"H) model # OBLOSWM3SC2E42-6 - \$740 list
	Losa 3 sided laminate wire management chase with latches for 1 middle panel base*
	Counter height chase (22.56"H) model # OBLOSWM3SCM36-6 - \$350 list Bar height chase (28.56"H) model # OBLOSWM3SCM42-6 - \$370 list

** for tables with offset stretchers, specify which panel and the placement of the wire manager (user left or right)*

Wire Management Mouse Hole options:

	Losa wire management mouse hole (1) stretcher at the top / center - model # OBOLOSWMHMS - \$20 list
	Losa wire management mouse hole (1) in the end panel or middle support panel at the top / center - model # OBOLOSWMHPT - \$20 list
	Losa wire management mouse hole (1) in the end panel or middle support panel at the bottom / center - model # OBOLOSWMHPB - \$20 list

Wire Management cut out options for end /middle panels:

	Losa wire management notched cut out for power supply (1) stretcher at top / center - model # OBOLOSWMNCOS - \$60 list
	Losa wire management notched cut out for power supply (1) end panel or middle support panel at top / center - model # OBOLOSWMNCOP - \$60 list
	Losa wire management cut out (1) on the end panel 18" at center from the bottom center of the panel - model # OBOLOSWMCOEP - \$60 list

*****specify which panel or stretcher shall have the mouse hole or cut out on your PO**

Please contact service@symphonytables.com to make sure that your power and/or wire management solution will work with the Losa table specification. We are able to modify this table with a custom solution to fit your projects needs.

Formica HPL laminate finish grades listed on pages 2-3. For additional laminate grades, contact Symphony.

Grain Match fees for 2 and 3 piece tops with a wood grain laminate

See above chart for pricing in blue, use model number OTGRMTC with the top depth x length-Gr1 or Gr2 - for example OTGRMTC36120-GR1

Losa tables

counter height or bar height
12"H stretcher

For complete model number - insert 1 letter height code:
C - 36" counter height
B - 42" bar height

Losa table - stretchers 12" apart	dimensions	model no.	grade 1 list	grade 2 list
1 piece top - (2) 12"H stretchers centered under the top	42 x 48	TLLOS42048_2XCPV	2,380	2,710
	42 x 54	TLLOS42054_2XCPV	2,480	2,840
	42 x 60	TLLOS42060_2XCPV	2,580	2,960
	42 x 66	TLLOS42066_2XCPV	2,680	3,070
	42 x 72	TLLOS42072_2XCPV	2,880	3,290
	42 x 84	TLLOS42084_2XCPV	3,050	3,490
	42 x 96	TLLOS42096_2XCPV	3,240	3,720
	48 x 54	TLLOS48054_2XCPV	2,480	2,840
	48 x 60	TLLOS48060_2XCPV	2,580	2,960
	48 x 66	TLLOS48066_2XCPV	2,680	3,070
	48 x 72	TLLOS48072_2XCPV	2,880	3,290
	48 x 84	TLLOS48084_2XCPV	2,900	3,320
2 piece top - (2) 12"H stretchers centered under each piece of the top	48 x 96	TLLOS48096_2XCPV	3,240	3,720
	54 x 60	TLLOS54060_2XCPV	3,630	4,140
	54 x 66	TLLOS54066_2XCPV	3,760	4,300
	54 x 72	TLLOS54072_2XCPV	3,880	4,440
	54 x 84	TLLOS54084_2XCPV	3,910	4,480
	54 x 96	TLLOS54096_2XCPV	3,950	4,520
	60 x 66	TLLOS60066_2XCPV	3,990	4,530
	60 x 72	TLLOS60072_2XCPV	4,110	4,680
	60 x 84	TLLOS60084_2XCPV	4,140	4,710
	60 x 96	TLLOS60096_2XCPV	4,180	4,760
	42 x 120	TLLOS42120_2XCPV	5,120	5,680
	42 x 144	TLLOS42144_2XCPV	5,620	6,240
42 x 192	TLLOS42192_2XCPV	6,640	7,460	
3 piece top - (2) 12"H stretchers centered under each piece of the top	48 x 120	TLLOS48120_2XCPV	5,120	5,680
	48 x 144	TLLOS48144_2XCPV	5,620	6,240
	48 x 192	TLLOS48192_2XCPV	6,760	7,580
	54 x 120	TLLOS54120_2XCPV	6,150	6,830
	54 x 144	TLLOS54144_2XCPV	6,470	7,210
	54 x 192	TLLOS54192_2XCPV	7,680	8,660
	60 x 120	TLLOS60120_2XCPV	6,380	7,060
	60 x 144	TLLOS60144_2XCPV	6,710	7,440
	60 x 192	TLLOS60192_2XCPV	7,920	8,900
	42 x 216	TLLOS42216_2XCPV	7,480	8,400
	42 x 240	TLLOS42240_2XCPV	7,990	9,020
	48 x 216	TLLOS48216_2XCPV	7,480	8,400
48 x 240	TLLOS48240_2XCPV	7,990	9,020	
54 x 216	TLLOS54216_2XCPV	8,990	10,170	
54 x 240	TLLOS54240_2XCPV	9,600	10,900	
60 x 216	TLLOS60216_2XCPV	9,230	10,400	
60 x 240	TLLOS60240_2XCPV	9,830	11,130	

Wire Management 3-sided Chase options:

	Losa 3 sided laminate wire management chase with latches for 1 end panel base
	Counter height chase (22.56"H) model # OBLOSWM3SCE36-12 - \$350 list Bar height chase (28.56"H) model # OBLOSWM3SCE42-12 - \$370 list
	Losa 3 sided laminate wire management chase with latches for both end panel bases
	Counter height chase (22.56"H) model # OBLOSWM3SC2E36-12 - \$700 list Bar height chase (28.56"H) model # OBLOSWM3SC2E42-12 - \$740 list
	Losa 3 sided laminate wire management chase with latches for 1 middle panel base
	Counter height chase (22.56"H) model # OBLOSWM3SCM36-12 - \$350 list Bar height chase (28.56"H) model # OBLOSWM3SCM42-12 - \$370 list

Wire Management Mouse Hole options:

	Losa wire management mouse hole (1) stretcher at the top / center - model # OBOLOSWMHMS - \$20 list
	Losa wire management mouse hole (1) in the end panel or middle support panel at the top / center - model # OBOLOSWMHPT - \$20 list
	Losa wire management mouse hole (1) in the end panel or middle support panel at the bottom / center - model # OBOLOSWMHPB - \$20 list

Wire Management cut out options for end /middle panels:

	Losa wire management notched cut out for power supply (1) stretcher at top / center - model # OBOLOSWMNCOS - \$60 list
	Losa wire management notched cut out for power supply (1) end panel or middle support panel at top / center - model # OBOLOSWMNCOP - \$60 list
	Losa wire management cut out (1) on the end panel 18" at center from the bottom center of the panel - model # OBOLOSWMCOEP - \$60 list

*****specify which panel or stretcher shall have the mouse hole or cut out on your PO**

Losa tables

counter height or bar height
full height stretcher

For complete model number:
1. insert 1 letter height code:
C - 36" counter height
B - 42" bar height
2. insert 2 letter stretcher option code:
FC - (1) full height stretcher centered under each piece of the top
FO - (1) full height stretcher offset under each piece of the top
**specify offset stretcher placement - 1" or 6" from approach edge of top*

Losa table	dimensions	1, 2 or 3 piece top	model no.		grade 1 list	grade 2 list		
FC (1) full height stretcher centered under each piece of the top	24 x 48	1	TLLOS24048	PV	2,350	2,690		
	24 x 54	1	TLLOS24054	PV	2,470	2,830		
	24 x 60	1	TLLOS24060	PV	2,490	2,850		
	24 x 66	1	TLLOS24066	PV	2,640	3,030		
	24 x 72	1	TLLOS24072	PV	2,670	3,060		
	24 x 84	1	TLLOS24084	PV	2,970	3,400		
	24 x 96	1	TLLOS24096	PV	3,150	3,610		
	modesty panel 1" offset	30 x 48	1	TLLOS30048	PV	2,530	2,900	
		30 x 54	1	TLLOS30054	PV	2,660	3,050	
		30 x 60	1	TLLOS30060	PV	2,690	3,080	
		30 x 66	1	TLLOS30066	PV	2,840	3,270	
		30 x 72	1	TLLOS30072	PV	2,860	3,300	
		30 x 84	1	TLLOS30084	PV	3,190	3,660	
		30 x 96	1	TLLOS30096	PV	3,340	3,850	
		modesty panel 6" offset	36 x 48	1	TLLOS36048	PV	2,590	2,950
			36 x 54	1	TLLOS36054	PV	2,710	3,100
			36 x 60	1	TLLOS36060	PV	2,830	3,240
			36 x 66	1	TLLOS36066	PV	2,950	3,370
			36 x 72	1	TLLOS36072	PV	3,170	3,620
	36 x 84		1	TLLOS36084	PV	3,380	3,880	
	36 x 96	1	TLLOS36096	PV	3,540	4,060		
	2 piece top - (2) full height stretchers centered under each piece of the top stretchers 12" apart	24 x 120	2	TLLOS24120	PV	4,420	4,960	
		24 x 144	2	TLLOS24144	PV	4,740	5,340	
		24 x 192	2	TLLOS24192	PV	5,750	6,550	
30 x 120		2	TLLOS30120	PV	4,850	5,430		
30 x 144		2	TLLOS30144	PV	5,420	6,070		
30 x 192		2	TLLOS30192	PV	6,500	7,370		
36 x 120		2	TLLOS36120	PV	5,200	5,810		
36 x 144		2	TLLOS36144	PV	5,720	6,390		
36 x 192		2	TLLOS36192	PV	6,830	7,710		
24 x 216		3	TLLOS24216	PV	6,810	7,720		
24 x 240		3	TLLOS24240	PV	7,310	8,320		
30 x 216		3	TLLOS30216	PV	7,370	8,340		
30 x 240	3	TLLOS30240	PV	7,910	8,990			
36 x 216	3	TLLOS36216	PV	7,710	8,700			
36 x 240	3	TLLOS36240	PV	8,260	9,370			
					Grain Match Fee			
					GR1	GR2		

Wire Management Door option:



Losa wire management door with finger pull for 1 full height stretcher**
(door dimensions: 10.5"W x 12.5"H) model # **OBOLOSWMD1** - \$200 list
Losa wire management door with finger pull for 2 full height stretchers**
(door dimensions: 10.5"W x 12.5"H) model # **OBOLOSWMD2** - \$400 list
Losa wire management door with finger pull for 3 full height stretchers**
(door dimensions: 10.5"W x 12.5"H) model # **OBOLOSWMD3** - \$600 list

**specify placement and confirm which panel shall receive the door for tables with multiple stretchers

Wire Management Mouse Hole options:

- Losa wire management mouse hole (1) stretcher at the top / center - model # **OBOLOSWMMHS** - \$20 list
- Losa wire management mouse hole (1) in the end panel or middle support panel at the top / center - model # **OBOLOSWMHPT** - \$20 list
- Losa wire management mouse hole (1) in the end panel or middle support panel at the bottom / center - model # **OBOLOSWMPB** - \$20 list

Wire Management cut out options for end /middle panels:

- Losa wire management notched cut out for power supply (1) stretcher at top / center model # **OBOLOSWMNCOS** - \$60 list
- Losa wire management notched cut out for power supply (1) end panel or middle support panel at top / center model # **OBOLOSWMNCOP** - \$60 list
- Losa wire management cut out (1) on the end panel 18" at center from the bottom center of the panel model # **OBOLOSWMCOP** - \$60 list

***specify which panel or stretcher shall have the mouse hole or cut out on your PO

Please contact service@symphonytables.com to make sure that your power and/or wire management solution will work with the Losa table specification. We are able to modify this table with a custom solution to fit your projects needs.

Formica HPL laminate finish grades listed on pages 2-3. For additional laminate grades, contact Symphony.

Grain Match fees for 2 and 3 piece tops with a wood grain laminate

See above chart for pricing in blue, use model number OTGRMTC with the top depth x length-Gr1 or Gr2 - for example OTGRMTC36120-GR1

Losa tables

counter height or bar height
full height stretcher

For complete model number - insert 1 letter height code:
C - 36" counter height
B - 42" bar height

Losa table - stretchers 12" apart	dimensions	model no.	grade 1 list	grade 2 list		
1 piece top - (2) full height stretchers centered under the top stretchers 12" apart	24 x 48	TLLOS24048_2FCPV	2,630	3,000		
	24 x 54	TLLOS24054_2FCPV	2,770	3,170		
	24 x 60	TLLOS24060_2FCPV	2,820	3,230		
	24 x 66	TLLOS24066_2FCPV	2,990	3,430		
	24 x 72	TLLOS24072_2FCPV	3,040	3,490		
	24 x 84	TLLOS24084_2FCPV	3,400	3,900		
	24 x 96	TLLOS24096_2FCPV	3,620	4,170		
	2 piece top - (2) full height stretchers centered under each piece of the top stretchers 12" apart	30 x 48	TLLOS30048_2FCPV	2,810	3,220	
		30 x 54	TLLOS30054_2FCPV	2,960	3,400	
		30 x 60	TLLOS30060_2FCPV	3,010	3,460	
		30 x 66	TLLOS30066_2FCPV	3,190	3,670	
		30 x 72	TLLOS30072_2FCPV	3,240	3,730	
		30 x 84	TLLOS30084_2FCPV	3,610	4,150	
		30 x 96	TLLOS30096_2FCPV	3,820	4,400	
		3 piece top - (2) full height stretchers centered under each piece of the top stretchers 12" apart	36 x 48	TLLOS36048_2FCPV	2,870	3,260
			36 x 54	TLLOS36054_2FCPV	3,020	3,440
			36 x 60	TLLOS36060_2FCPV	3,160	3,610
			36 x 66	TLLOS36066_2FCPV	3,300	3,780
			36 x 72	TLLOS36072_2FCPV	3,550	4,060
	36 x 84		TLLOS36084_2FCPV	3,810	4,370	
	36 x 96	TLLOS36096_2FCPV	4,010	4,610		
	2 piece top - (2) full height stretchers centered under each piece of the top stretchers 12" apart	24 x 120	TLLOS24120_2FCPV	4,990	5,630	
		24 x 144	TLLOS24144_2FCPV	5,410	6,130	
		24 x 192	TLLOS24192_2FCPV	6,610	7,580	
30 x 120		TLLOS30120_2FCPV	5,420	6,100		
30 x 144		TLLOS30144_2FCPV	6,090	6,860		
30 x 192		TLLOS30192_2FCPV	7,370	8,390		
36 x 120		TLLOS36120_2FCPV	5,780	6,480		
36 x 144		TLLOS36144_2FCPV	6,390	7,170		
36 x 192		TLLOS36192_2FCPV	7,700	8,740		
24 x 216		TLLOS24216_2FCPV	7,770	8,860		
24 x 240		TLLOS24240_2FCPV	8,380	9,580		
30 x 216		TLLOS30216_2FCPV	8,330	9,480		
30 x 240	TLLOS30240_2FCPV	8,970	10,250			
36 x 216	TLLOS36216_2FCPV	8,670	9,840			
36 x 240	TLLOS36240_2FCPV	9,320	10,620			
			Grain Match Fee			
			GR1	GR2		

Wire Management Door option:



Losa wire management door with finger pull for 1 full height stretcher**
(door dimensions: 10.5"W x 12.5"H) model # **OBOLOSWMD1** - \$200 list
Losa wire management door with finger pull for 2 full height stretchers**
(door dimensions: 10.5"W x 12.5"H) model # **OBOLOSWMD2** - \$400 list
Losa wire management door with finger pull for 3 full height stretchers**
(door dimensions: 10.5"W x 12.5"H) model # **OBOLOSWMD3** - \$600 list

**specify placement and confirm which panel shall receive the door for tables with multiple stretchers

Wire Management Mouse Hole options:

- Losa wire management mouse hole (1) stretcher at the top / center - model # **OBOLOSWMMHS** - \$20 list
- Losa wire management mouse hole (1) in the end panel or middle support panel at the top / center - model # **OBOLOSWMHPT** - \$20 list
- Losa wire management mouse hole (1) in the end panel or middle support panel at the bottom / center - model # **OBOLOSWMPB** - \$20 list

Wire Management cut out options for end /middle panels:

- Losa wire management notched cut out for power supply (1) stretcher at top / center model # **OBOLOSWMNCOS** - \$60 list
- Losa wire management notched cut out for power supply (1) end panel or middle support panel at top / center model # **OBOLOSWMNCOP** - \$60 list
- Losa wire management cut out (1) on the end panel 18" at center from the bottom center of the panel model # **OBOLOSWMCOP** - \$60 list

***specify which panel or stretcher shall have the mouse hole or cut out on your PO

Please contact service@symphonytables.com to make sure that your power and/or wire management solution will work with the Losa table specification. We are able to modify this table with a custom solution to fit your projects needs.

Formica HPL laminate finish grades listed on pages 2-3. For additional laminate grades, contact Symphony.

Grain Match fees for 2 and 3 piece tops with a wood grain laminate

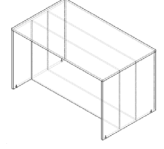
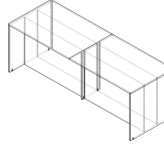
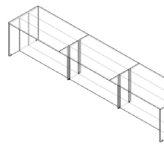
See above chart for pricing in blue, use model number OTGRMTC with the top depth x length-Gr1 or Gr2 - for example OTGRMTC36120-GR1

Losa tables

counter height or bar height
full height stretchers

For complete model number - insert 1 letter height code:

- C** - 36" counter height
- B** - 42" bar height

	dimensions	model no.	grade 1 list	grade 2 list			
1 piece top - (2) full height stretchers centered under the top 	42 x 48	TLLOS42048_2FCPV	2,940	3,340			
	42 x 54	TLLOS42054_2FCPV	3,090	3,530			
	42 x 60	TLLOS42060_2FCPV	3,240	3,700			
	42 x 66	TLLOS42066_2FCPV	3,380	3,870			
	42 x 72	TLLOS42072_2FCPV	3,630	4,160			
	42 x 84	TLLOS42084_2FCPV	3,900	4,480			
	42 x 96	TLLOS42096_2FCPV	4,190	4,820			
	48 x 54	TLLOS48054_2FCPV	3,090	3,530			
	48 x 60	TLLOS48060_2FCPV	3,240	3,700			
	48 x 66	TLLOS48066_2FCPV	3,380	3,870			
	48 x 72	TLLOS48072_2FCPV	3,630	4,160			
	48 x 84	TLLOS48084_2FCPV	3,750	4,300			
	48 x 96	TLLOS48096_2FCPV	4,190	4,820			
	54 x 60	TLLOS54060_2FCPV	4,290	4,890			
	54 x 66	TLLOS54066_2FCPV	4,460	5,110			
	54 x 72	TLLOS54072_2FCPV	4,630	5,310			
	54 x 84	TLLOS54084_2FCPV	4,760	5,470			
	54 x 96	TLLOS54096_2FCPV	4,900	5,630			
		60 x 66	TLLOS60066_2FCPV	4,690	5,340		
		60 x 72	TLLOS60072_2FCPV	4,870	5,540	Grain Match	
	60 x 84	TLLOS60084_2FCPV	5,000	5,700	Fee		
	60 x 96	TLLOS60096_2FCPV	5,130	5,860	GR1	GR2	
2 piece top - (2) full height stretchers centered under each piece of the top 	42 x 120	TLLOS42120_2FCPV	6,270	7,020	320	390	
	42 x 144	TLLOS42144_2FCPV	6,960	7,810	380	460	
	42 x 192	TLLOS42192_2FCPV	8,380	9,510	500	620	
	48 x 120	TLLOS48120_2FCPV	6,270	7,020	360	440	
	48 x 144	TLLOS48144_2FCPV	6,960	7,810	430	530	
	48 x 192	TLLOS48192_2FCPV	8,490	9,620	580	700	
	54 x 120	TLLOS54120_2FCPV	7,300	8,160	410	500	
	54 x 144	TLLOS54144_2FCPV	7,810	8,780	490	600	
	54 x 192	TLLOS54192_2FCPV	9,410	10,710	650	800	
	60 x 120	TLLOS60120_2FCPV	7,530	8,390	450	550	
	60 x 144	TLLOS60144_2FCPV	8,050	9,020	540	660	
	60 x 192	TLLOS60192_2FCPV	9,650	10,940	720	880	
3 piece top - (2) full height stretchers centered under each piece of the top 	42 x 216	TLLOS42216_2FCPV	9,410	10,680	570	700	
	42 x 240	TLLOS42240_2FCPV	10,120	11,530	630	770	
	48 x 216	TLLOS48216_2FCPV	9,410	10,680	650	800	
	48 x 240	TLLOS48240_2FCPV	10,120	11,530	720	880	
	54 x 216	TLLOS54216_2FCPV	10,920	12,450	730	890	
	54 x 240	TLLOS54240_2FCPV	11,730	13,420	810	990	
	60 x 216	TLLOS60216_2FCPV	11,150	12,680	810	990	
	60 x 240	TLLOS60240_2FCPV	11,960	13,650	900	1,100	




Wire Management Door option:






- Losa wire management door with finger pull for 1 full height stretcher****
(door dimensions: 10.5"W x 12.5"H) model # **OBOLOSWMDD1** - \$200 list
- Losa wire management door with finger pull for 2 full height stretchers****
(door dimensions: 10.5"W x 12.5"H) model # **OBOLOSWMDD2** - \$400 list
- Losa wire management door with finger pull for 3 full height stretchers****
(door dimensions: 10.5"W x 12.5"H) model # **OBOLOSWMDD3** - \$600 list

**specify placement and confirm which panel shall receive the door for tables with multiple stretchers

Wire Management Mouse Hole options:

-  Losa wire management mouse hole (1) stretcher at the top / center - model # **OBOLOSWMHHS** - \$20 list
-  Losa wire management mouse hole (1) in the end panel or middle support panel at the top / center - model # **OBOLOSWMHPT** - \$20 list
-  Losa wire management mouse hole (1) in the end panel or middle support panel at the bottom / center - model # **OBOLOSWMHPB** - \$20 list

Wire Management cut out options for end /middle panels:

-  Losa wire management notched cut out for power supply (1) stretcher at top / center model # **OBOLOSWMNCOS** - \$60 list
-  Losa wire management notched cut out for power supply (1) end panel or middle support panel at top / center model # **OBOLOSWMNCOP** - \$60 list
-  Losa wire management cut out (1) on the end panel 18" at center from the bottom center of the panel model # **OBOLOSWMCOEP** - \$60 list

*specify which panel or stretcher shall have the mouse hole or cut out on your PO

Please contact service@symphonytables.com to make sure that your power and/or wire management solution will work with the Losa table specification. We are able to modify this table with a custom solution to fit your projects needs.

Formica HPL laminate finish grades listed on pages 2-3. For additional laminate grades, contact Symphony.

Grain Match fees for 2 and 3 piece tops with a wood grain laminate

See above chart for pricing in blue, use model number OTGRMTCH with the top depth x length-Gr1 or Gr2 - for example OTGRMTCH36120-GR1

This page was intentionally left blank.

general information

Symphony

2026 LOSA PRICE LIST

Symphony

2026 LOSA PRICE LIST

terms and conditions

Terms of Sale

All prices listed are delivered pricing to the 48 contiguous states. Orders shipped to Hawaii, Alaska, and Puerto Rico ship to the port of embarkation. Product specifications and pricing is based on the information at time of publication. Symphony reserves the right to make changes at any time without notice regarding product specifications and pricing. Terms are Net 30 from the date of shipment (net 10, 1% discount). Prices are subject to change annually for changes in accordance with state contract regulations. All customer/nonstandard products are subject to a fifty percent (50%) advance deposit. There will be a service charge of 1 1/2% per month on all invoices past due. Symphony reserves the right to use its own or commercial carriers for the "best way" to ship, at its sole discretion.

Quality Standards

Symphony Furniture products meet or exceed applicable ANSI/BIFMA durability and safety standards when properly installed with appropriate size base.

Warranty

All Symphony products are guaranteed against defect for a period of ten (10) years. Electrical items and height adjustment mechanisms are guaranteed against defect for a period of five (5) years. Symphony will replace or repair (at our discretion) without cost to our customers any item found to be defective as a result of defective material or workmanship. This excludes any item which has been abused or subjected to any use other than that which was originally intended for our product. Any repairs by our customer must receive specific written authorization from Symphony before work is initiated. This warranty is given to the initial purchaser and is valid for as long as the product is owned by the initial purchaser. The warranty, which runs from the date of manufacture, covers defects in materials and craftsmanship found during normal usage of the products during the warranty period. If a product is defective, and if written notice of the defect is given to Symphony within the warranty period, Symphony at its discretion will either repair or replace the defective product with a comparable component or product, or provide a refund of the purchase price. In no event shall liability under this warranty exceed the original purchase price. Warranty on plastic laminates is not covered by Symphony but is covered by laminate manufacturers under their specific warranty only. There are no other warranties expressed or implied. This warranty does not apply to damage caused by a carrier, alterations to the product not expressly authorized by Symphony. Symphony does not warrant the matching of color, grain, or texture except to within commercially acceptable standards. A product will not be considered defective, and Symphony will not be obligated to replace it, if that product is subject to any of Symphony's written planning, installation or user guides, and is not installed or used as recommended.

Please note that all Losa tables and conference/media tables should not be moved as a complete unit after the product has been assembled. If it is moved, then this could result in the tables being "racked" which could also disrupt the top plate and/ or cam lock routing and predrilled holes. This type of damage is not covered under warranty. In order to move a table, you must unassembled the table completely and re-assemble it in the new location.

Minimum order/Freight Charge

Zone 1 orders less than \$5,000 list (U.S.) - \$200 net
Zone 2 orders less than \$5,000 list (U.S.) - \$260 net

Sales Policy

Possession of this price list does not constitute authority to purchase and/or sell products contained herein. All orders are subject to acceptance by Symphony Furniture.

New Accounts

New accounts can only be established with:

Approval of Symphony sales representative

Valid purchase order

State Resale/Exemption Certificate or order will be charged the appropriate sales tax

Application & credit references

Payment in full (initial orders under \$4,000 list) or 50% deposit in advance

Symphony

2026 LOSA PRICE LIST

terms and conditions

Taxes

Symphony requires a state Resale/Exemption Certificate on file in our main office. Sales made without a certificate will be charged the appropriate sales tax as required by law.

Freight Terms

Freight charges will be prepaid on all shipments unless special arrangements have been made. Normal delivery is dock to dock. Special requests, such as inside delivery, lift gate service; residential delivery, etc. are subject to additional charges. All accessorial charges not requested on purchase order will be the responsibility of the consignee. Symphony reserves the right to select the "best way" shipment method and means. Delivery date and times are at the discretion of the carrier within reasonable transit time unless special arrangements have been made between the customer and Symphony.

Acknowledgements

Every order is acknowledged. Orders will be manufactured and invoiced based upon the information on the acknowledgment. If there is any discrepancy, please notify Symphony immediately. Orders are accepted by Symphony per terms on the acknowledgment. All acknowledgements contain an estimated shipping date. Your order may actually ship earlier than the expected shipping date, depending on the backlog at the time. If you do not want the merchandise earlier than the specified date, please write "Do not ship for arrival before _____" on your purchase order.

Revised Orders

Orders requiring changes to the product or additional options will not incur additional costs unless orders have been processed. Orders revised after being manufactured are subject to additional charges.

Changes or Cancellations

Orders entered and acknowledged cannot be changed or cancelled without Symphony's consent. The customer is responsible for all costs incurred, and a minimum cancellation or change charge of 25% will be invoiced if an order is cancelled or changed within 15 working days of shipment. Orders for nonstandard products are not cancelable.

Shipments on Hold

Any shipment placed on hold by customer's request or due to balance owed, will be manufactured per the originally scheduled ship date. Storage charges will begin to accrue 7 days from that date. Any order held by our factory over 30 days will be billed and must be promptly paid even though shipment is held at factory at customer's request.

Special or Additional Freight Charges

Symphony Furniture reserves the right to charge the following when incurring additional freight costs. Destination changes after product has shipped - \$50.00 plus \$2.00/mile after the first 10 miles. Wait time for delivery of greater than two hours - \$130.00/hour. Trailer drop/switch delivery - \$200.00/trailer. Deliveries Friday (after 3:00pm) through Sunday or Holidays - \$600.00/day. Third party to pick up freight at the terminal - \$200.00.

Redelivery of Freight

When redelivery of merchandise is required because customer is not ready to accept merchandise, and no notification of this fact is given to the factory at least two weeks prior to the scheduled ship date, the actual costs for freight, restocking and re-handling, plus 5% at the order value, will be billed to the customer.

Receipt of Order

1. Carefully inspect all incoming items
2. If an item is damaged, please note the damage on the delivery receipt.
3. Immediately contact the carrier to request an inspection and their freight claim form.
4. File the freight claim form with the carrier within five days of receipt.
5. If any item is missing or is not correct, please contact Symphony immediately.

Any concealed damages or shortage not reported with 5 business days from delivery shall be the sole responsibility of the customer.

Symphony

2026 LOSA PRICE LIST

terms and conditions

Shipment Damage Claims

Legal title of merchandise passes to the buyer upon acceptance of the carrier. All merchandise is packed to comply with carrier requirements. Shipments should be carefully inspected by the consignee before acceptance and the delivery carrier should be requested to record any damage or shortage. If further damage is found after delivery, immediate inspection by the delivering carrier should be requested. Notification of concealed damages must be made to the delivering carrier within 5 days after delivery of merchandise. Carrier liability ceases after this period. Damaged freight must be kept at the point of delivery in the original packing for inspection by the carrier. Please be advised that if the carrier obtains a clear receipt for shipment, they are no longer responsible for damage or shortages. Please note that electronically signing the carrier's tablet at the time of delivery means that you are accepting the delivery and no damages are being notated. If you see anything that indicates a shipment has been tampered with or shows signs of damage, then ask the driver to report it to the freight company and take pictures.

Shipment Shortage Claims

Shortage claims reported after 10 days beyond shipment date will not be honored.

Unopened Shipment Damage Claims

Neither Symphony nor the carrier is responsible for concealed damage claims if shipments are left unopened. Notification of concealed damages must be made to the delivering carrier within 5 days after delivery of merchandise. Refusal to accept an order from the carrier does not relieve you of the responsibility for payment, and may incur additional charges.

Lost Shipments

Symphony issues a bill of lading to consignee on the date of shipment. If shipment is not received within 20 days of shipment date, notify us. Symphony and the carrier do not assume obligation for lost or damaged shipment claims after 6 months of shipping date.

Title to Merchandise

Title to merchandise shall pass to the buyer upon delivery by Symphony to the carrier. For purposes of risk or loss, all shipments are F.O.B. factory. Buyer acknowledges that once Symphony delivers the goods to the carrier, title to the goods and risk of loss will pass to the buyer. If the goods are damaged by the carrier while in transit, the buyer has the sole obligation of seeking recourse from the carrier.

Returns

Symphony will not permit return of materials without written consent if materials shipped are as acknowledged. Return shipments when accepted are subject to a re-handling/restocking charge, in accordance with the state contract after the merchandise is received and inspected. All freight or express charges must be prepaid on return shipments; otherwise, they will not be accepted. Damaged materials and all items specially built to order cannot be returned under any conditions.

Repair and Replacement

Any labor charges for correcting a manufacturing problem must be submitted and approved before correction is undertaken, if the units are under warranty. Labor charges will not be paid if the estimate was not submitted and approved prior to labor being completed.

Contact Information

Symphony Furniture, 1720 Mars Hill Road, Suite 8-287, Acworth, GA 30101, GA 30318-1732
Phone: 866.507.7795
Fax: 888.683.0007
www.Symphonytables.com
Email: service@symphonytables.com

table care and maintenance

Table Care and Maintenance

Laminate Surfaces, Vinyl & PVC edges

High-pressure laminate is durable and requires minimal maintenance. To clean the surface, use a damp cloth or sponge and a mild soap or detergent. Rinse with clean, clear water. Wipe the entire surface, moving with the pattern and follow with a clean, dry, soft cloth. When a wood edge exists, follow "Wood Edge and Veneer" instructions.

Difficult "stains" such as coffee or tea can be removed using a mild household cleaner/detergent and a soft bristle brush, repeating as necessary. If stain persists, use a paste of baking soda & water and apply with a soft bristled brush. Light scrubbing for 10-20 strokes should remove most stains (excessive scrubbing or exerting too much force may damage the surface, especially gloss finish surfaces). Any remaining stains may require the use of undiluted household bleach or nail polish remover. Apply to stain and let stand no longer than two minutes. Rinse thoroughly with warm water & wipe dry. Step may be repeated. However, prolonged exposure of bleach to surface will cause discoloration.

Abrasive pads, scouring powders or cleansers may permanently dull & scratch the surface making the laminate susceptible to staining. Harsh chemicals such as oven, toilet or drain cleaners will etch & discolor laminates. If spills of these products occur, remove immediately, rinse thoroughly, and wipe dry.

High pressure laminates have high heat resistance, however exposure to temperatures greater than 135 degrees C (275 degrees F) is not recommended. Prolonged exposure to temperatures above 65 degrees C (150 degrees F) may result in separation of the laminate from the substrate. Protect the surface from heat generating appliances by using a trivet or insulating pad.

Do not use sharp objects directly on the laminate surface. A counter saver or chopping block is recommended.

HP laminate have excellent impact resistance. However, heavy objects dropped on the surface may chip or crack the laminate.

Powder Coated Metal

Clean with a mild soap solution and rinse with clean clear water. Wipe the entire surface and follow with a clean, dry cloth to buff dry.

Chromed Metal

Clean with a wet cloth or window cleaner. For scuff marks or heavy soiling, apply a non-abrasive automotive chrome polish as directed.

Mechanical Parts

Clean any lint or debris from the moving parts of the tilt or folding mechanisms. Do not apply any lubricant.

Symphony

phone: 866-507-7795

email: service@symphonytables.com

Specifications subject to change without prior notice.
Visit symphonytables.com/resources/pricing for the most current version of the Price List.